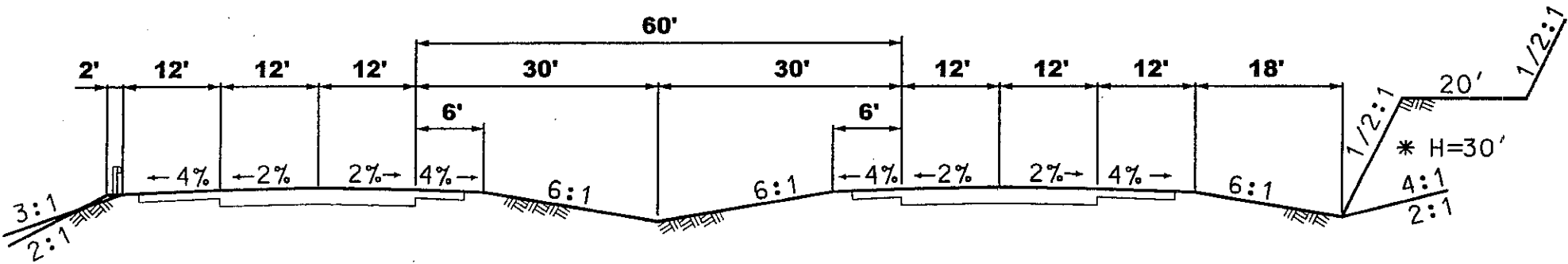


**SOUTHERN KENTUCKY CORRIDOR (I-66)
APPALACHIAN CORRIDOR SEGMENT**

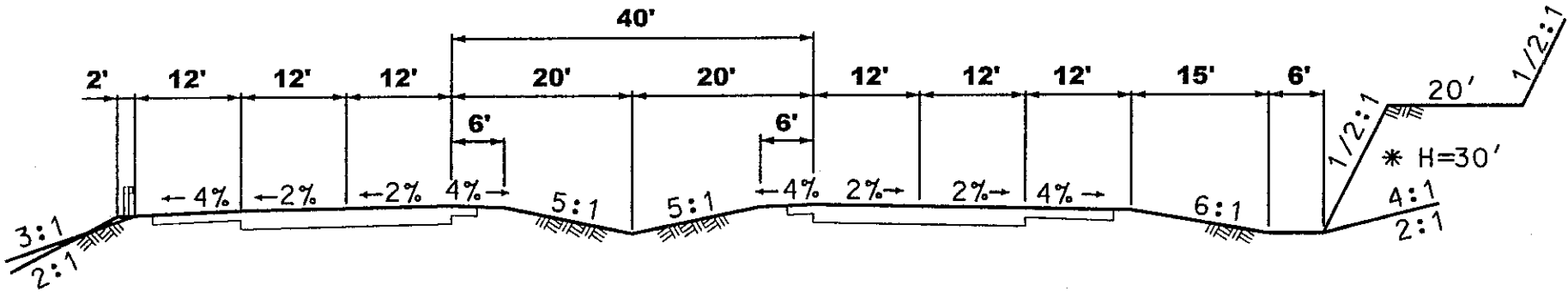
TYPICAL SECTIONS



KENTUCKY

US 23 to STATE LINE

FULLY CONTROLLED ACCESS—ACCESS AT INTERCHANGES ONLY



WEST VIRGINIA

STATE LINE to PROP. KING COAL HIGHWAY
INTERSECTIONS AT TWO PER SIDE OF THE ROAD PER MILE